

UNLESS OTHERWISE SPECIFIED: DIMENSIONS ARE IN MM inches AS REFERENCE TOLERANCES: FRACTIONAL: ±1.5mm ANGULAR: MACH±1° BEND ±5°	NAME	DATE	
	DRAWN	K WHIPP	
PROPRIETARY AND CONFIDENTIAL THE INFORMATION CONTAINED IN THIS DRAWING IS THE SOLE PROPERTY OF CAROUSEL USA INC. ANY REPRODUCTION IN PART OR AS A WHOLE WITHOUT THE WRITTEN PERMISSION OF CAROUSEL USA INC IS PROHIBITED.	TITLE:		Model 50C, Concrete Top Surface Turntable Overview
	INTERPRET GEOMETRIC TOLERANCING PER: ASME Y14.5M-2009		
MATERIAL	Carousel USA 244 Kruse Ave. Monrovia, CA, 91016 TEL: (626) 357-7986 FAX: (626) 236-4060		SIZE B
FINISH	SCALE: 1:32		DWG. NO.
DO NOT SCALE DRAWING	WEIGHT: 2083.93		REV A
	SHEET 1 OF 3		

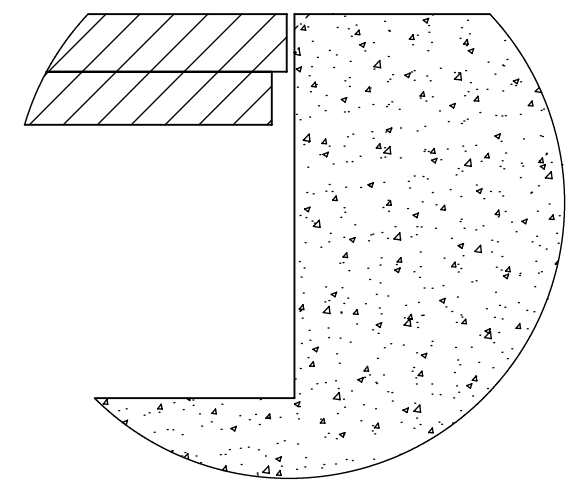
8 7 6 5 4 3 2 1

D
C
B
A

D
C
B
A

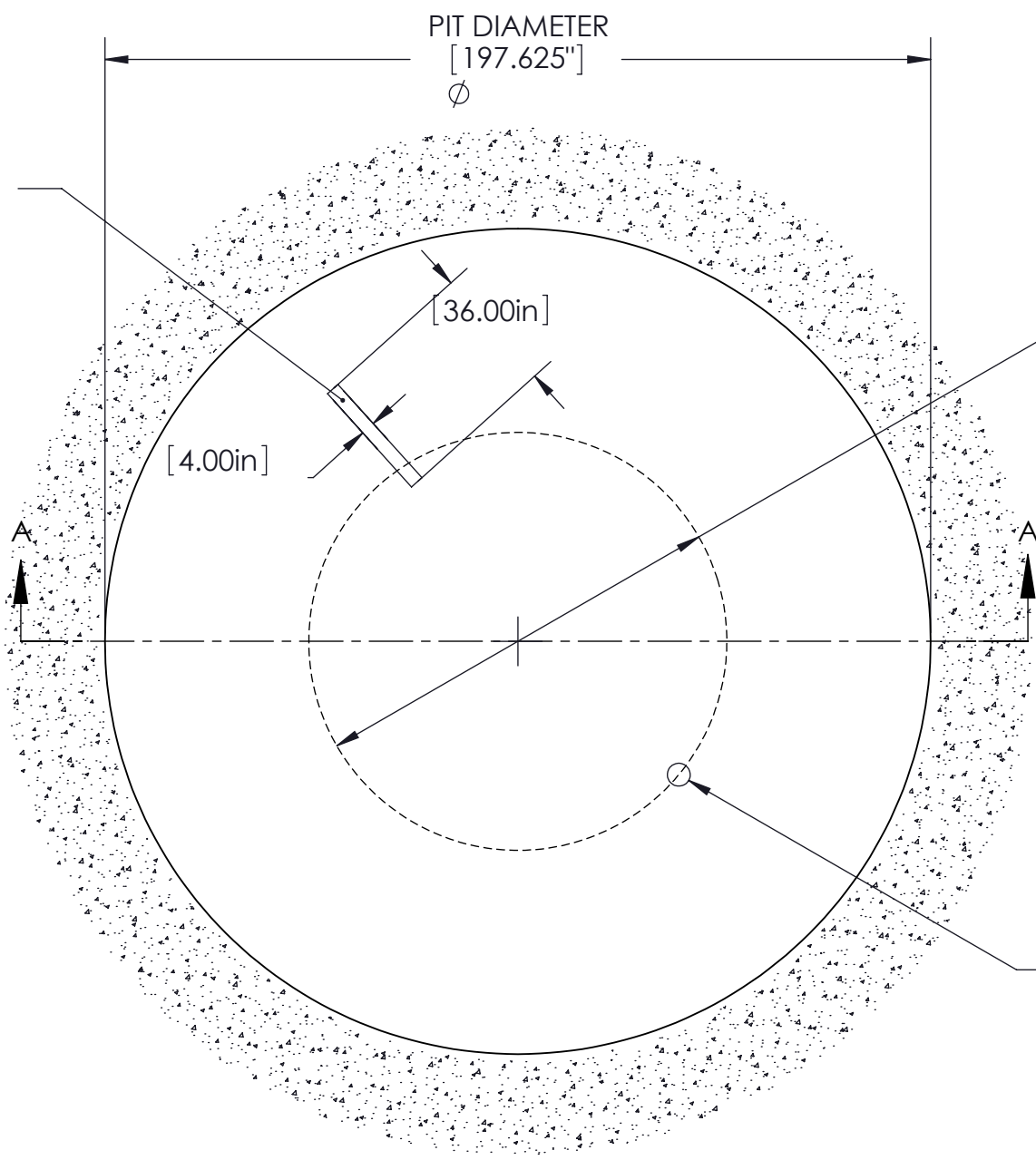
SCALE 1 : 10

STANDARD CONCRETE EDGE



DETAIL A

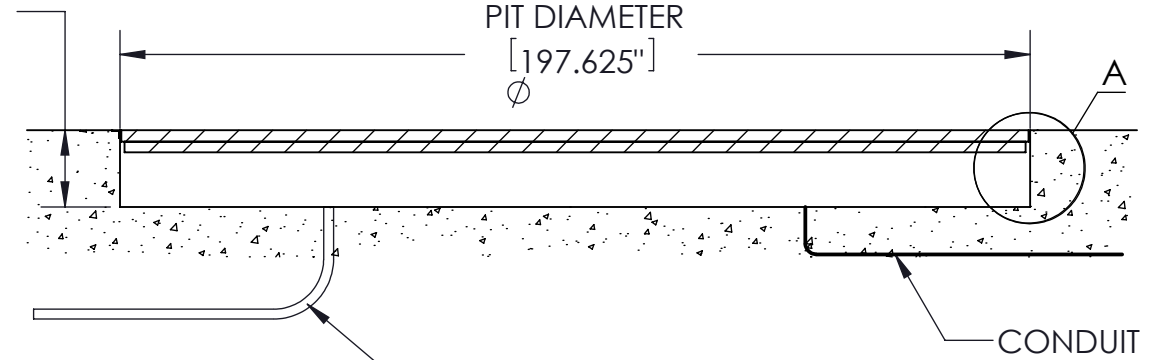
ZURN Z884
STRIP DRAIN 4" x
36" or SIMILAR



[120.00in]
Ø

PIT DEPTH
[20.00in]

PIT DIAMETER
[197.625"]
Ø



DRAIN TO DAYLIGHT OR SUMP

CONDUIT

SECTION A-A

1" ID CONDUIT

UNLESS OTHERWISE SPECIFIED:
**DIMENSIONS ARE IN MM
inches AS REFERENCE**
TOLERANCES:
FRACTIONAL: ±1.5mm
ANGULAR: MACH±1° BEND ±5°

DRAWN	NAME	DATE
K WHIPP		10/31/2011



TITLE:
Model 50C, Concrete Top Surface
Turntable Pit Details

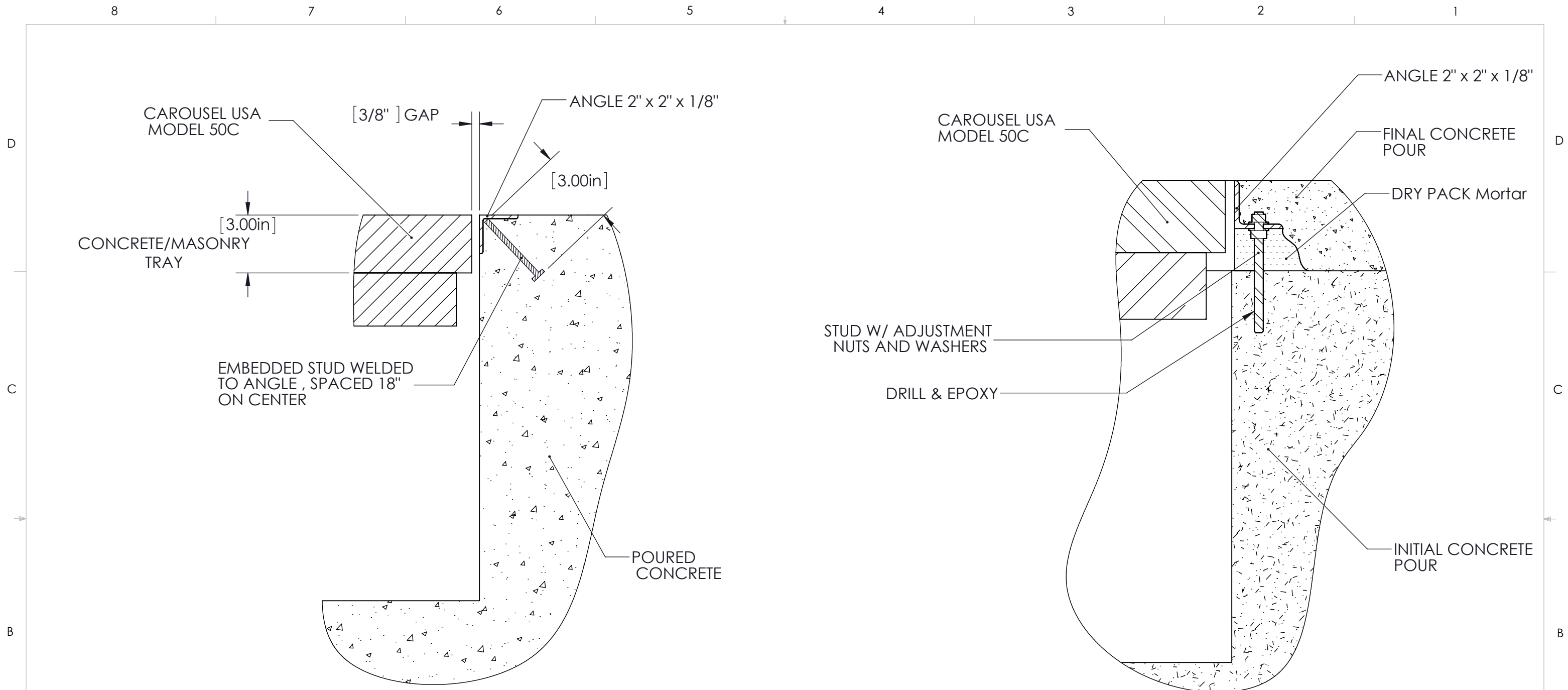
PROPRIETARY AND CONFIDENTIAL
THE INFORMATION CONTAINED IN THIS
DRAWING IS THE SOLE PROPERTY OF
CAROUSEL USA INC. ANY
REPRODUCTION IN PART OR AS A WHOLE
WITHOUT THE WRITTEN PERMISSION OF
CAROUSEL USA INC IS PROHIBITED.

INTERPRET GEOMETRIC
TOLERANCING PER: ASME Y14.5M-2009
MATERIAL
FINISH
DO NOT SCALE DRAWING

Carousel USA
244 Kruse Ave.
Monrovia, CA, 91016
TEL: (626) 357-7986
FAX: (626) 236-4060

SIZE B	DWG. NO.	REV A
SCALE: 1:50	WEIGHT:	SHEET 2 OF 3

8 7 6 5 4 3 2 1



OPTIONAL FLAT UP TRIM RING

OPTIONAL EDGE UP TRIM RING

UNLESS OTHERWISE SPECIFIED: DIMENSIONS ARE IN MM inches AS REFERENCE TOLERANCES: FRACTIONAL: ±1.5mm ANGULAR: MACH±1° BEND ±5°	NAME	DATE			
	DRAWN	K WHIPP		10/31/2011	
PROPRIETARY AND CONFIDENTIAL THE INFORMATION CONTAINED IN THIS DRAWING IS THE SOLE PROPERTY OF CAROUSEL USA INC. ANY REPRODUCTION IN PART OR AS A WHOLE WITHOUT THE WRITTEN PERMISSION OF CAROUSEL USA INC IS PROHIBITED.	TITLE: Model 50C, Concrete Top Surface Optional Trim Ring Details				
	INTERPRET GEOMETRIC TOLERANCING PER: ASME Y14.5M-2009	Carousel USA 244 Kruse Ave. Monrovia, CA, 91016 TEL: (626) 357-7986 FAX: (626) 236-4060	SIZE	DWG. NO.	REV
	MATERIAL		B		A
	FINISH		SCALE: 1:50	WEIGHT:	SHEET 3 OF 3
DO NOT SCALE DRAWING					