

8 7 6 5 4 3 2 1

D

D

30 WHEELS

STEEL FRAMEWORK

CENTER BEARING

PIN DRIVE SYSTEM

MOTOR ASSEMBLY

TRACK SYSTEM

C

C

B

B

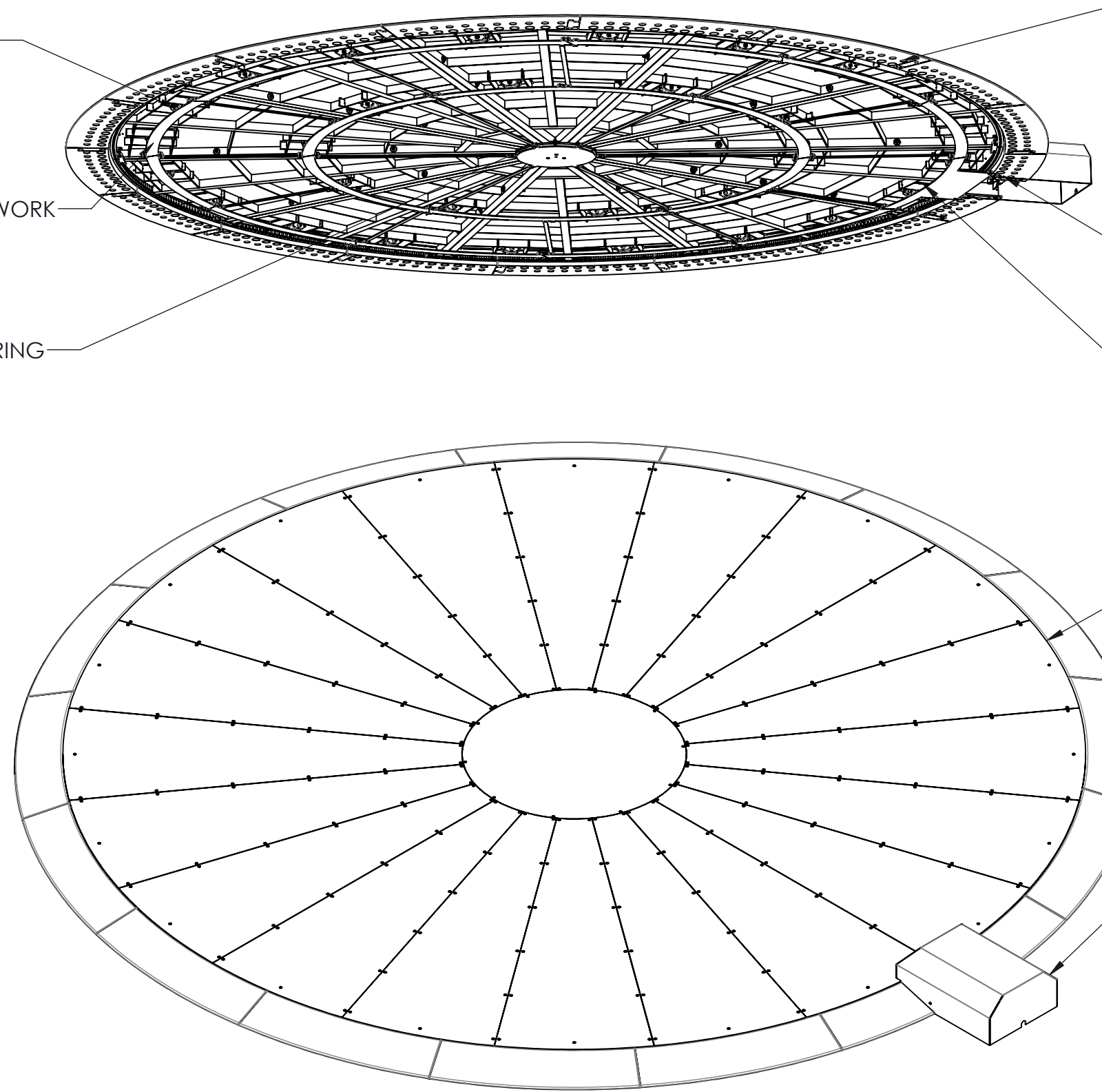
STEEL TOPS

RAMPS

MOTOR COVER

A

A



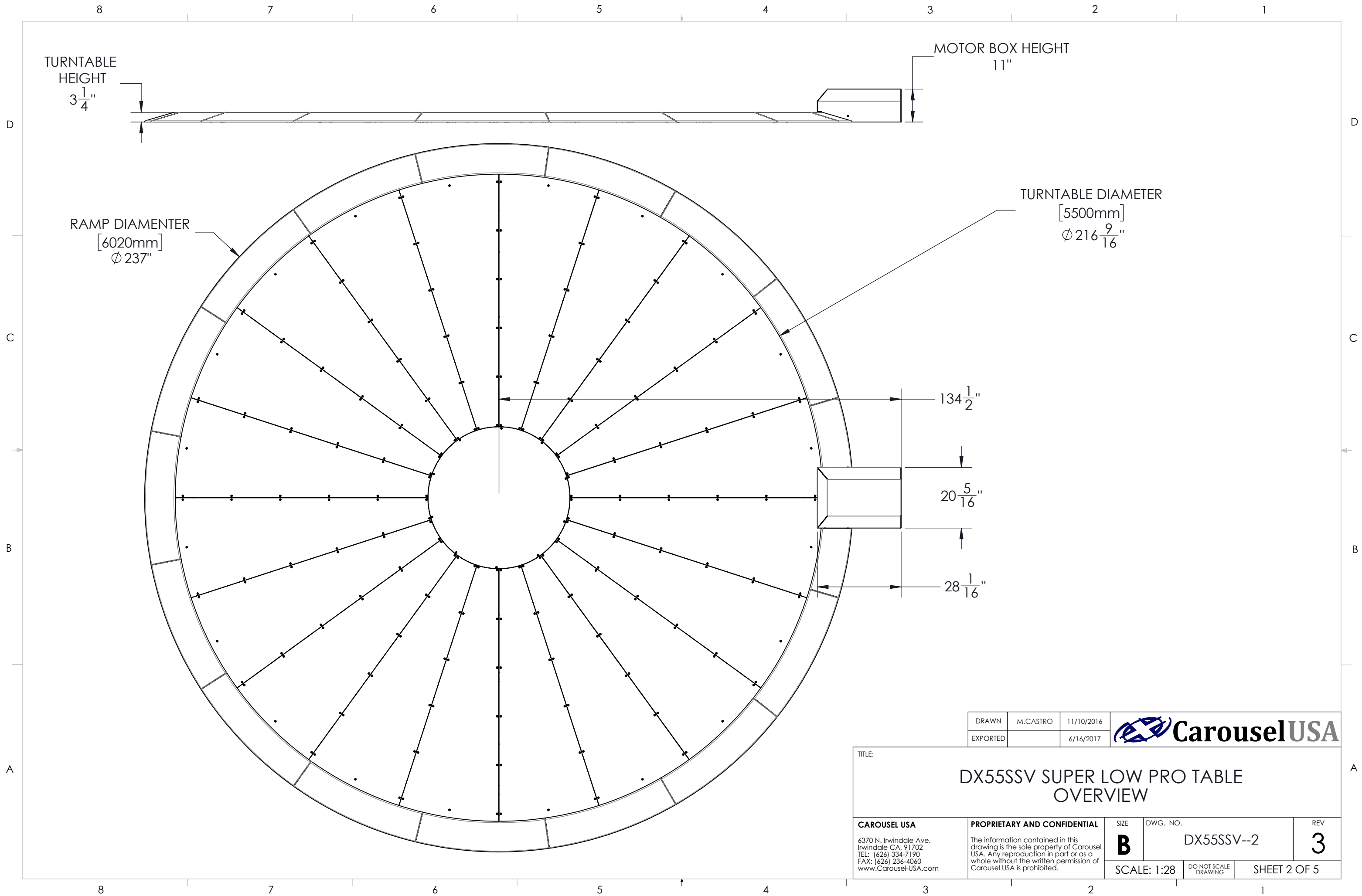
DRAWN	M.CASTRO	11/10/2016
EXPORTED		6/16/2017



TITLE:
**DX55SSV SUPER LOW PRO TABLE
 FEATURES**

CAROUSEL USA 6370 N. Irwindale Ave. Irwindale CA, 91702 TEL: (626) 334-7190 FAX: (626) 236-4060 www.Carousel-USA.com	PROPRIETARY AND CONFIDENTIAL The information contained in this drawing is the sole property of Carousel USA. Any reproduction in part or as a whole without the written permission of Carousel USA is prohibited.	SIZE	DWG. NO.	REV
		B	DX55SSV--1	3
SCALE: 1:28		DO NOT SCALE DRAWING	SHEET 1 OF 5	

8 7 6 5 4 3 2 1



DRAWN	M.CASTRO	11/10/2016	
EXPORTED		6/16/2017	

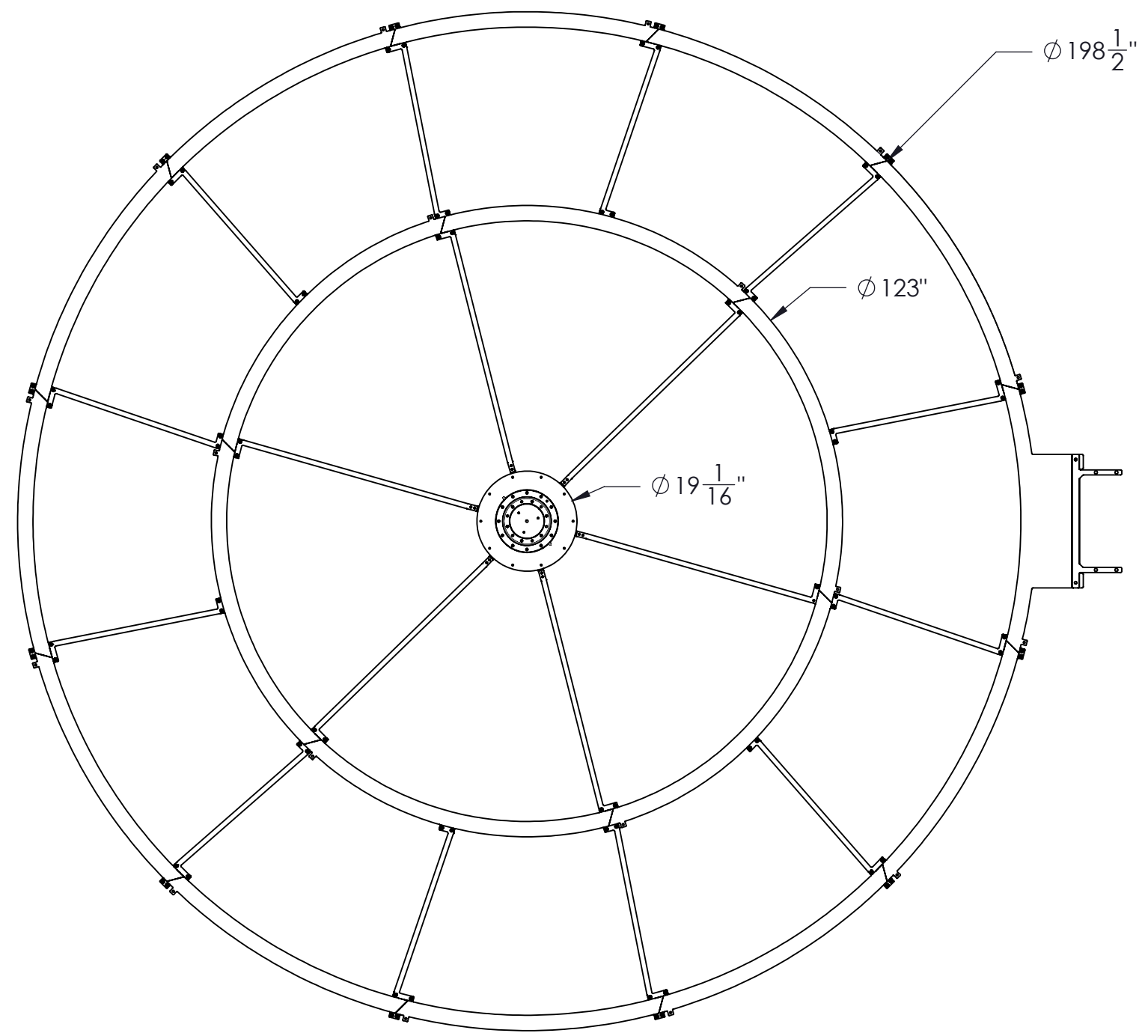
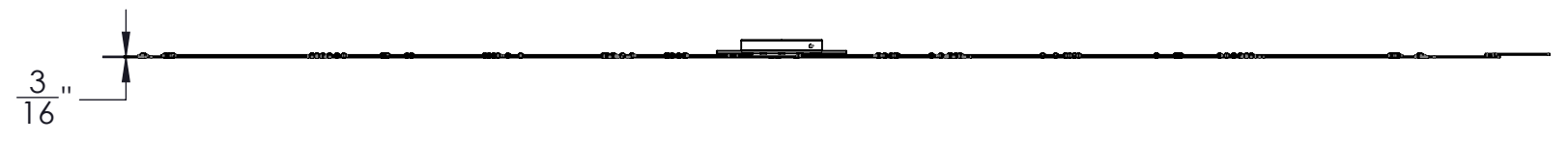
TITLE:

DX55SSV SUPER LOW PRO TABLE OVERVIEW

CAROUSEL USA 6370 N. Irwindale Ave. Irwindale CA, 91702 TEL: (626) 334-7190 FAX: (626) 236-4060 www.Carousel-USA.com	PROPRIETARY AND CONFIDENTIAL The information contained in this drawing is the sole property of Carousel USA. Any reproduction in part or as a whole without the written permission of Carousel USA is prohibited.	SIZE	DWG. NO.	REV
		B	DX55SSV--2	3
SCALE: 1:28		DO NOT SCALE DRAWING	SHEET 2 OF 5	

8 7 6 5 4 3 2 1

D
C
B
A



DRAWN	M.CASTRO	11/10/2016	
EXPORTED		6/16/2017	

TITLE:
DX55SSV SUPER LOW PRO TABLE TRACK DIMENSIONS

CAROUSEL USA 6370 N. Irwindale Ave. Irwindale CA, 91702 TEL: (626) 334-7190 FAX: (626) 236-4060 www.Carousel-USA.com	PROPRIETARY AND CONFIDENTIAL The information contained in this drawing is the sole property of Carousel USA. Any reproduction in part or as a whole without the written permission of Carousel USA is prohibited.	SIZE	DWG. NO.	REV
		B	DX55SSV--3	3
SCALE: 1:28		DO NOT SCALE DRAWING	SHEET 3 OF 5	

8 7 6 5 4 3 2 1